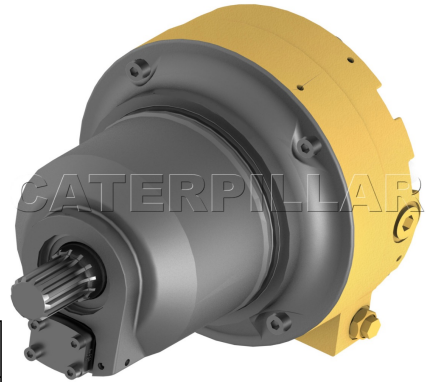


Main specification parameter for 345D hydraulic travel motor

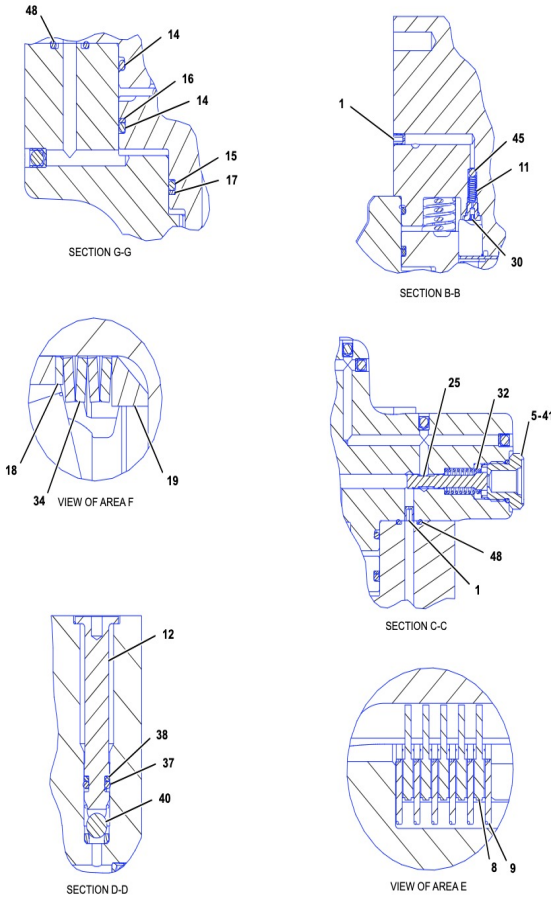
Brand	Model	Product Name	Part Number	Assembly Quantity	Weight
Caterpillar	345D	hydraulic travel motor	3555669	2	130KG



Compatible Equipment Models: 3555669

330D	330D MH	345B II	345B II MH	345C
345C L	345C MH	345D	345D L	345D L VG
349D	349D L	349E	349E L	349E L HVG
349E L VG	349F L			

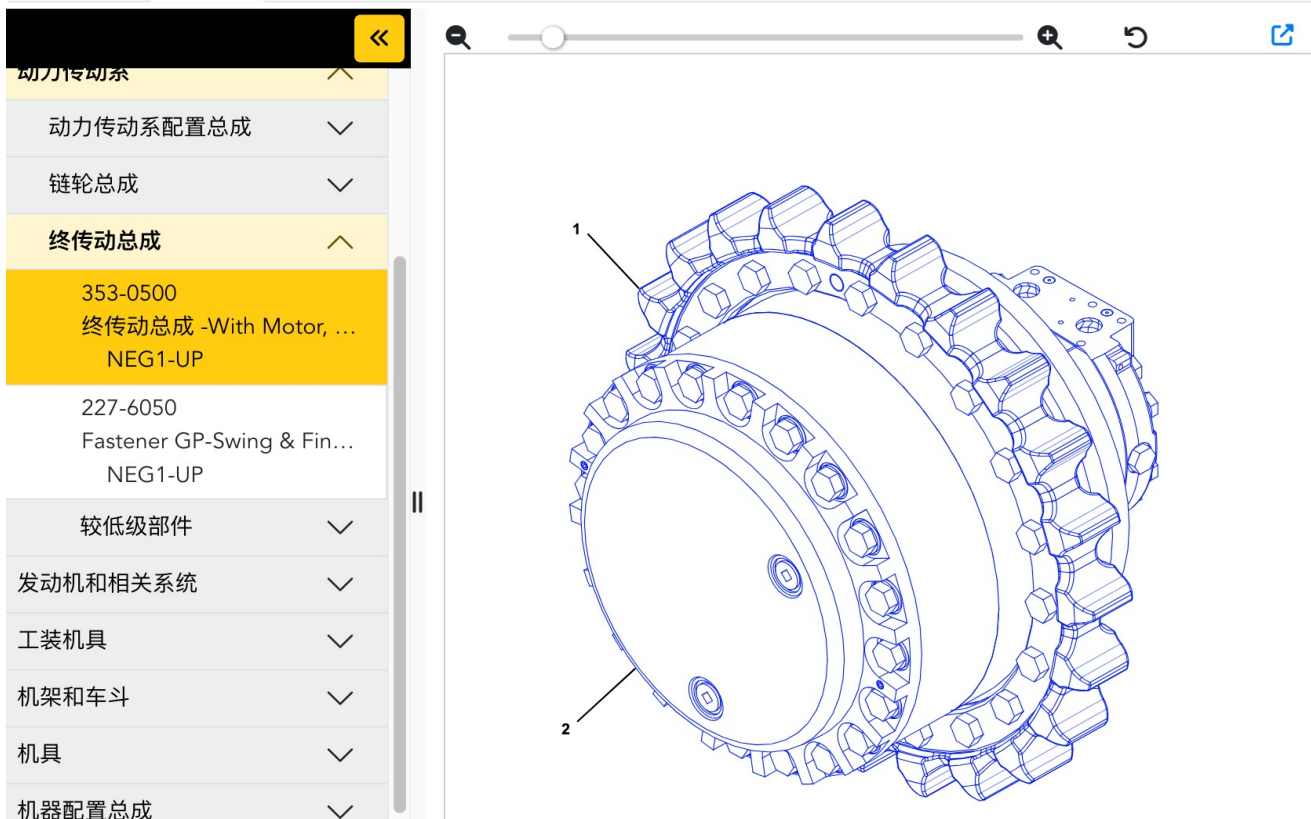
Product Details



Product Name	hydraulic travel motor
Part Number	3555669
Origin	United States
Brand Name	STONE
Model	345D
Price	Negotiable
Packing Details	Standard Export Packing
Delivery Time	0-30 Days
Payment Term	L/C, T/T
Price Term	FOB, CIF, CFR
Supply Capacity	50,000 PCS/Month
Minimum Order Quantity	1 PC
Material	High Quality Steel
Technology	Precision Machining
Surface	Treatment Anti-Corrosion Coating
Hardness	HRC 48-52
Quality	Original Factory Standard
Warranty Time	12 Months or 2000 Hours
After-Sales Service	Full Support, Online Service
Color	Standard Caterpillar Yellow or Customizable
Application	Excavator
Customizable	including customized materials, surface treatment and specifications

hydraulic travel motor

3555669



STONE: Construction machinery parts expert in China



We are committed to providing a variety of parts including bulldozers, excavators and wheel loaders for well-known brands such as Carter and Komatsu. Our product line covers a full range of OEM parts, such as Track Chain, Track Rollers, Sprocket, Excavator Buckets, Blades, Excavator Cylinders, Swing Circles, and various electrical and hydraulic components to ensure that our customers' stringent requirements for quality and performance are met.



Stone (Shanghai) Engineering Machinery Co., Ltd. is a leading supplier of engineering machinery parts, focusing on providing high-quality parts for mining companies. Since its establishment in 2004, we have been based in Shanghai, China, and have built our own brand STONE, becoming a trusted choice in the industry.